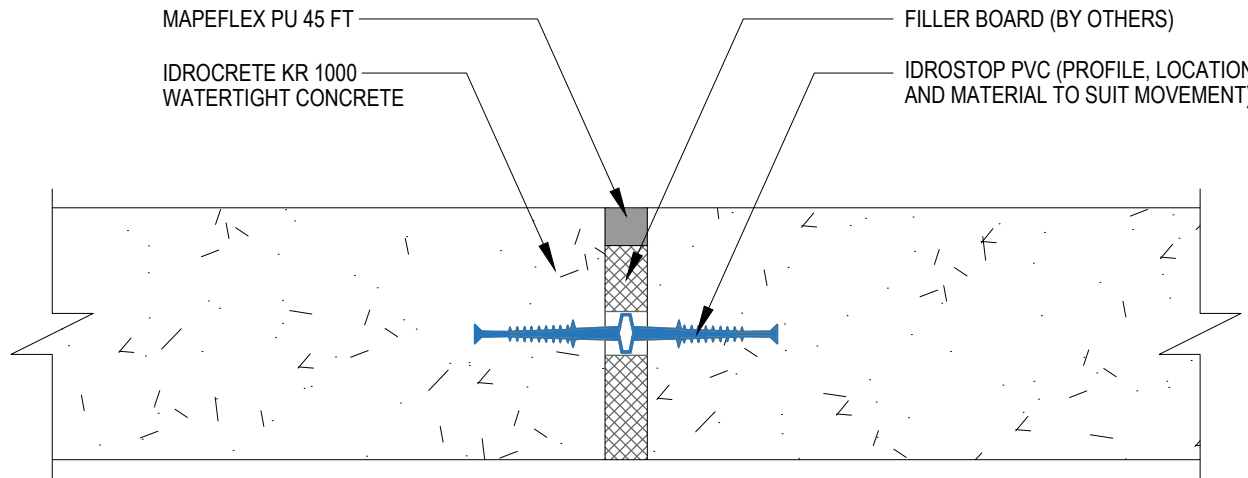
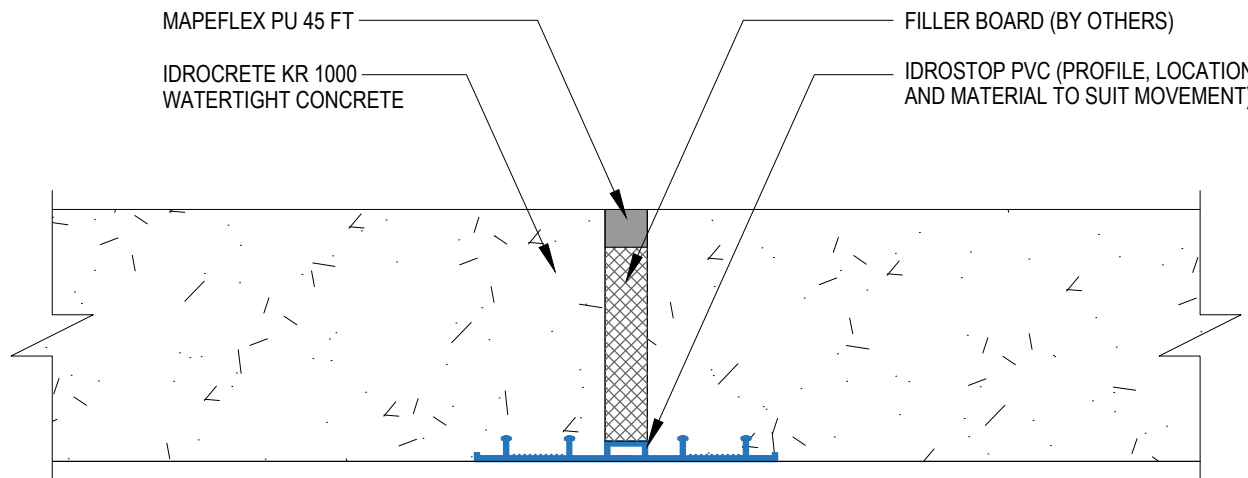


IDROCRETE KR 1000 WATERTIGHT CONCRETE RC SLAB EXPANSION JOINT WITH IDROSTOP PVC-WALL AND FLOOR JOINT



INTERNAL



EXTERNAL

Drawing Details:

IDROSTOP PVC - PVC waterstop for sealing expansion and cold joints.

MAPEFLEX PU 45 FT - Rapid-hardening paintable polyurethane sealant and adhesive with a high modulus of elasticity for movements up to 20%.

IDROCRETE KR 1000 - Powdered crystallising admixture for waterproof concrete.

STATUS: APPROVED

Drawing Title:
IDROCRETE KR 1000 WATERTIGHT CONCRETE-RC SLAB EXPANSION JOINT WITH IDROSTOP PVC-WALL AND FLOOR JOINT

Drawing Ref: MA90B

Date: 31/08/2023

Drawn by: DB

Checked by: LR

Approved by: ADL



Mapei House, Steel Park Road,
Halesowen, B62 8HD
Website: www.mapei.co.uk,
Email: technical-uk@mapei.co.uk

These standard details are provided for guidance only and should not be considered as comprehensive for design or construction purposes. It is the responsibility of the appointed principal designer to ensure that these details are appropriately adapted for specific projects.