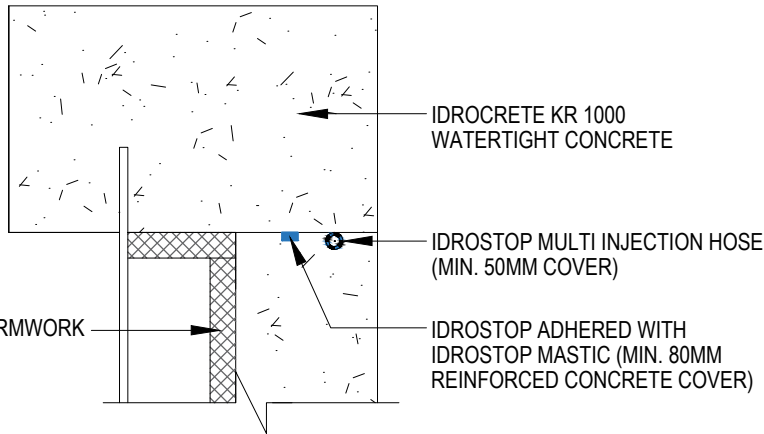
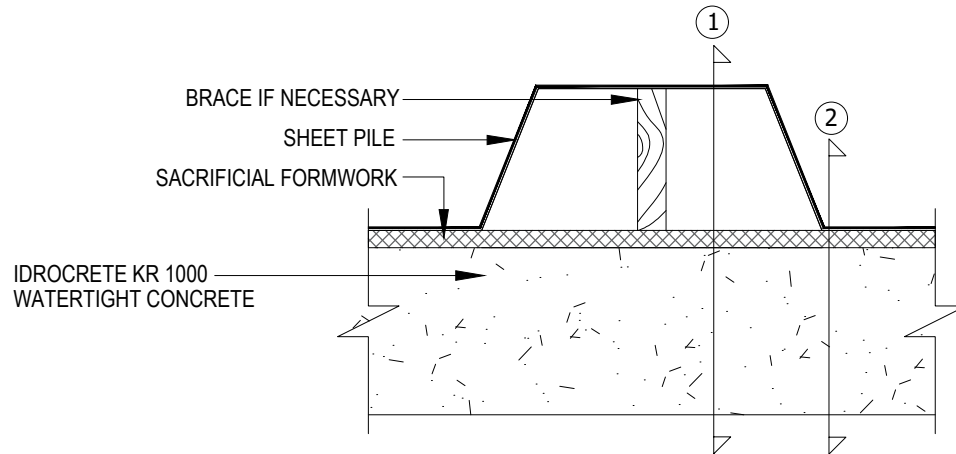
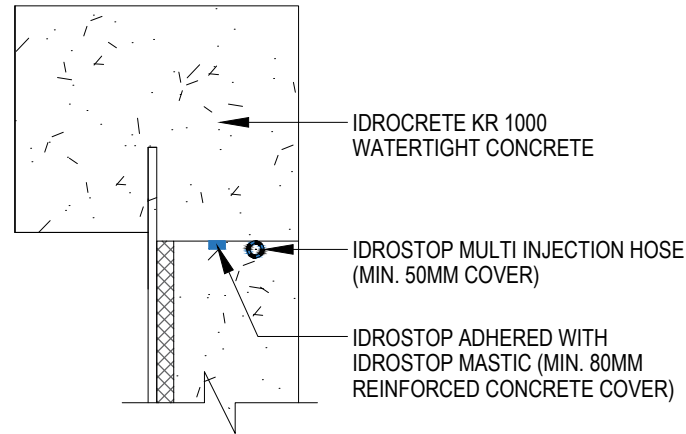


IDROCRETE KR 1000 WATERTIGHT CONCRETE SHEET PILE TIMBER BRACE AND SACRIFICIAL FORMWORK



SECTION 1



SECTION 2

*RECOMMENDED TO ALLOW INJECTION IN EVENT OF POOR COMPACTION

Drawing Details:

IDROSTOP - Hydrophilic, expanding rubber profiles for waterproof working joints.

IDROSTOP MASTIC - a ready to use solvent-free single component adhesive with a base of MS polymers.

IDROSTOP MULTI - PVC-P re-injectable hoses for waterproofing injections.

IDROCRETE KR 1000 - Powdered crystallising admixture for waterproof concrete.

STATUS: APPROVED

Drawing Title:
IDROCRETE KR 1000 WATERTIGHT CONCRETE-SHEET PILE TIMBER BRACE AND SACRIFICIAL FORMWORK

Drawing Ref: MA96B

Date: 31/08/2023

Drawn by: DB

Checked by: LR

Approved by: ADL



Mapei House, Steel Park Road,
Halesowen, B62 8HD

Website: www.mapei.co.uk

Email: technical-uk@mapei.co.uk