

MAPEPROOF AL AP & IDROCRETE KR 1000 WATERTIGHT CONCRETE PRE-FIXED FORMWORK

Drawing Details:

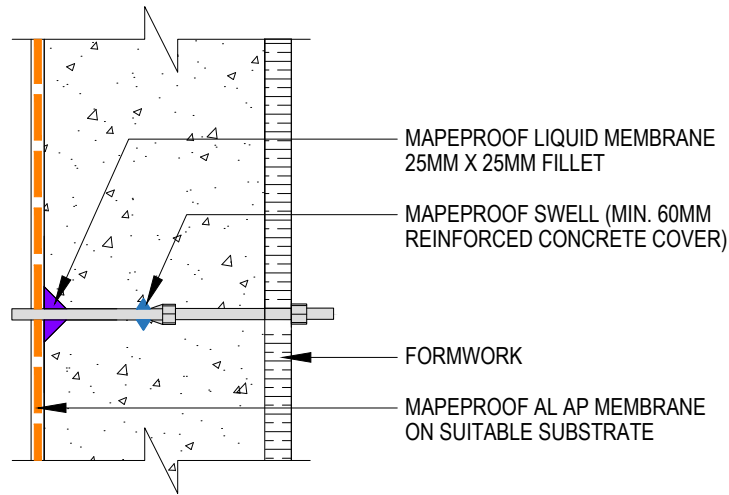
MAPEPROOF AL AP - Pre-applied, fully bonded, self-adhering, HDPE waterproofing membrane to protect against water underground structures.

MAPEPROOF SWELL - Hydro-expansive, rubber-based hydrophilic sealant paste in tubes, applied using an extrusion pistol.

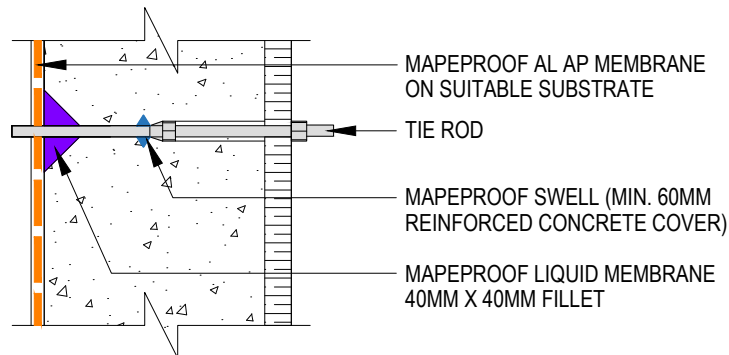
MAPEPROOF LIQUID MEMBRANE - Two-component polyurethane elastomeric, thixotropic, liquid waterproofing membrane for sealing, filling, detailing Mapeproof AL NA and Mapethene HT/LT membranes

IDROCRETE KR 1000 - Powdered crystallising admixture for waterproof concrete.

PLANITOP SMOOTH & REPAIR R4 - Quick-setting, fibre-reinforced, compensated-shrinkage, thixotropic cementitious mortar for repairing and smoothing concrete, applied in various thicknesses from 3 to 40 mm in a single layer.

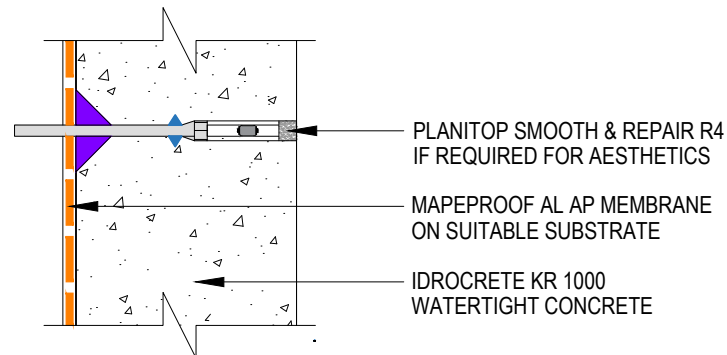
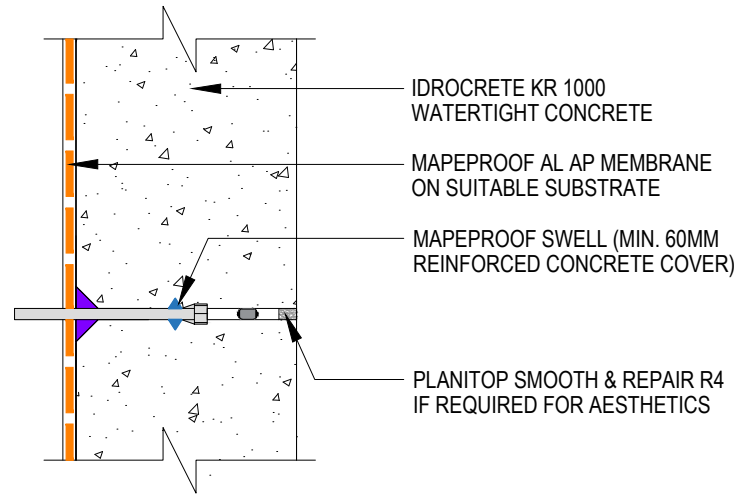


OPTION 1



OPTION 2

AS CONSTRUCTED



COMPLETED DETAIL

STATUS: APPROVED

Drawing Title:

MAPEPROOF AL AP & IDROCRETE KR 1000 WATERTIGHT CONCRETE-
PRE-FIXED FORMWORK

Drawing Ref: MA108B

Date: 02/10/2023

Drawn by: DB

Checked by: LR

Approved by: ADL



Mapei House, Steel Park Road,
Halesowen, B62 8HD

Website: www.mapei.co.uk,
Email: technical-uk@mapei.co.uk