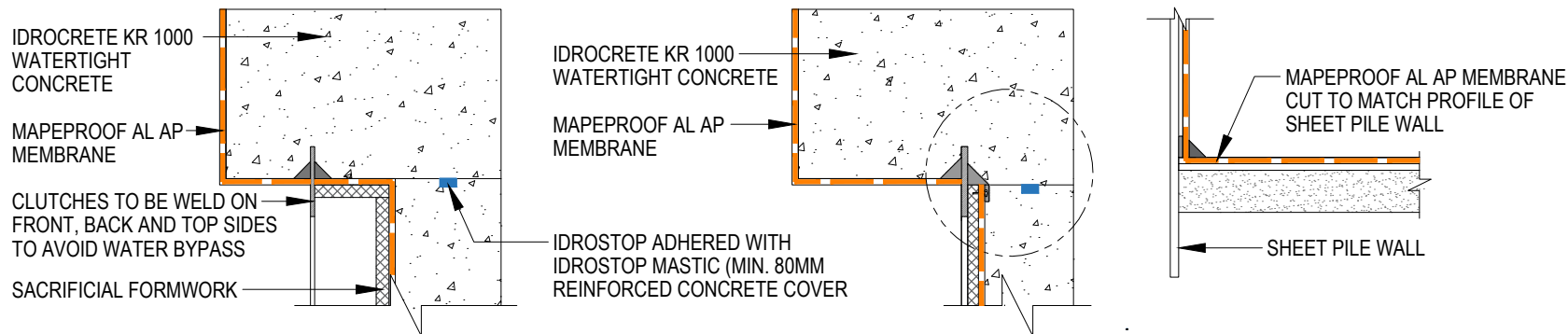
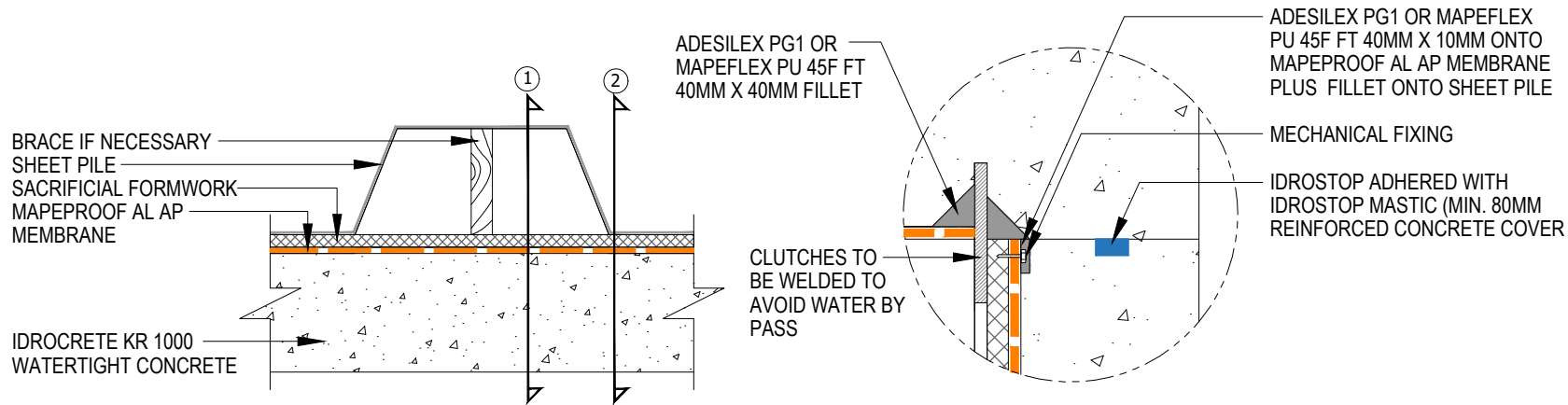


MAPEPROOF AL AP & IDROCRETE KR 1000 WATERTIGHT CONCRETE MAPEPROOF AL AP ON SHEET PILE TIMBER BRACE AND SACRIFICIAL FORMWORK (OPTION 3)



Drawing Details:

MAPEPROOF AL AP - Pre-applied, fully bonded, self-adhering, HDPE waterproofing membrane to protect against water underground structures.

IDROSTOP - Hydrophilic, expanding rubber profiles for waterproof working joints.

IDROSTOP MASTIC - One-component adhesive for laying IDROSTOP.

ADESILEX PG1 - Two-component, rapid-setting thixotropic adhesive for structural bonds.

MAPEFLEX PU 45 FT - Rapid hardening paintable polyurethane sealant and adhesive with a high modulus of elasticity for movements up to 20%.

IDROCRETE KR 1000 - Powdered crystallising admixture for waterproof concrete.

STATUS: APPROVED

Drawing Title:
MAPEPROOF AL AP & IDROCRETE KR 1000 WATERTIGHT CONCRETE-
MAPEPROOF AL AP ON SHEET PILE
TIMBER BRACE AND SACRIFICIAL
FORMWORK (OPTION 3)

Drawing Ref: MA116B

Date: 02/10/2023

Drawn by: DB

Checked by: LR

Approved by: ADL



Mapei House, Steel Park Road,
Halesowen, B62 8HD
Website: www.mapei.co.uk,
Email: technical-uk@mapei.co.uk