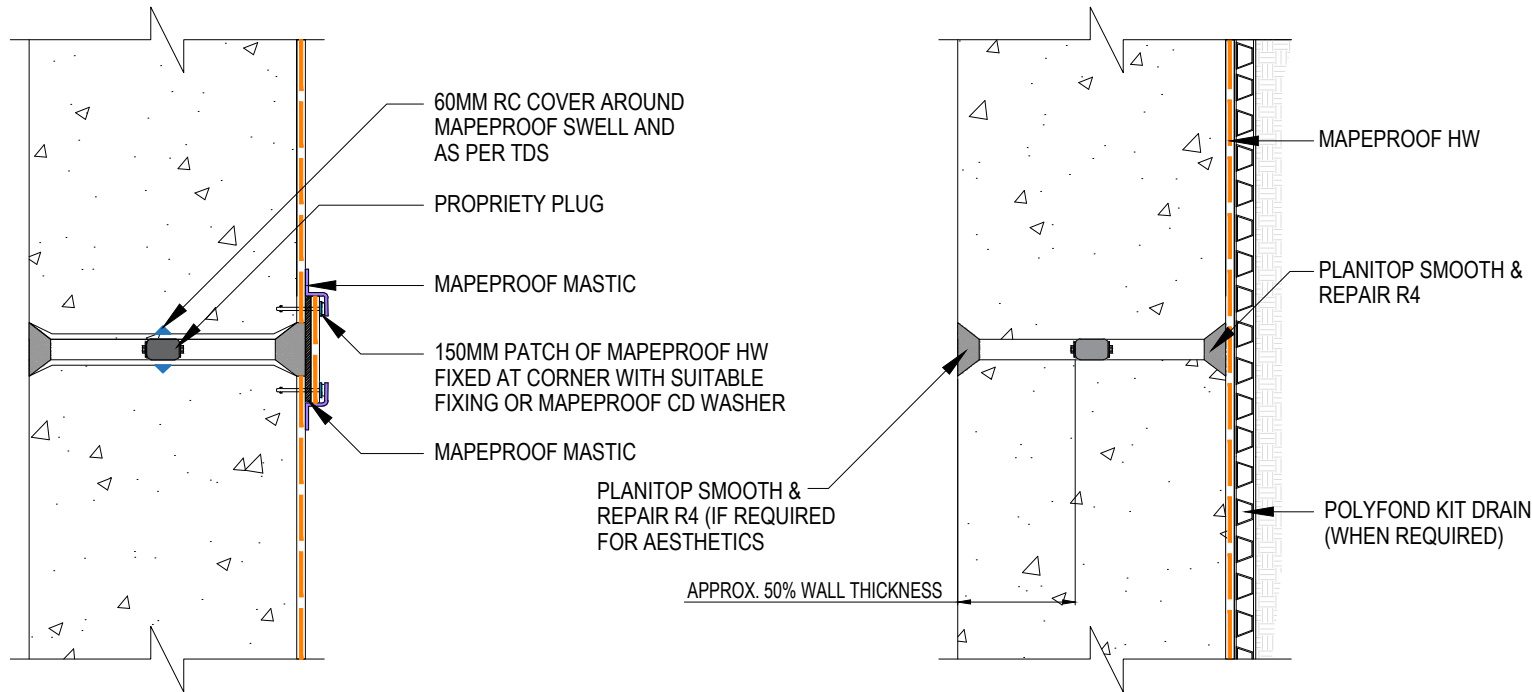


MAPEPROOF HW TIE BOLT HOLE



**WITH SLEEVE
(PRE-APPLIED MEMBRANE)**

**WITHOUT SLEEVE
(POST-APPLIED MEMBRANE)**

Drawing Details:

MAPEPROOF HW - Bentonite geotextile sheet waterproofing membrane.

MAPEPROOF MASTIC - Bentonite paste made from natural sodium bentonite and plasticising additives for sealing elements which pass through surfaces

MAPEPROOF SWELL - Hydro-expansive, rubber-based hydrophilic sealant paste in tubes, applied using an extrusion pistol.

PLANITOP SMOOTH & REPAIR R4 - Quick-setting, fibre-reinforced, compensated-shrinkage, thixotropic cementitious mortar for repairing and smoothing concrete, applied in various thicknesses from 3 to 40 mm in a single layer.

POLYFOND KIT DRAIN - is a protection and drainage system made from high density extruded polyethylene (HDPE) laminated with a polypropylene needle punched nonwoven.

STATUS: APPROVED

Drawing Title: MAPEPROOF HW-TIE BOLT HOLE

Drawing Ref: MA121B

Date: 31/08/2023

Drawn by: DB

Checked by: LR

Approved by: ADL



Mapei House, Steel Park Road,
Halesowen, B62 8HD
Website: www.mapei.co.uk
Email: technical-uk@mapei.co.uk

These standard details are provided for guidance only and should not be considered as comprehensive for design or construction purposes. It is the responsibility of the appointed principal designer to ensure that these details are appropriately adapted for specific projects.