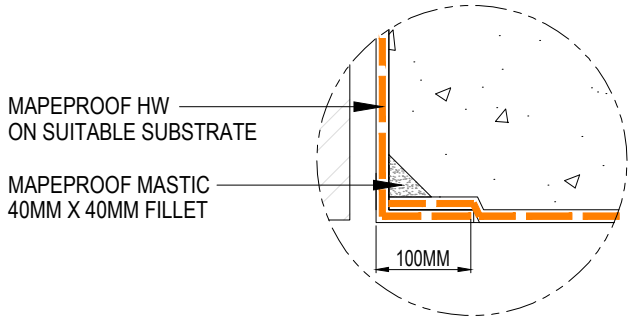
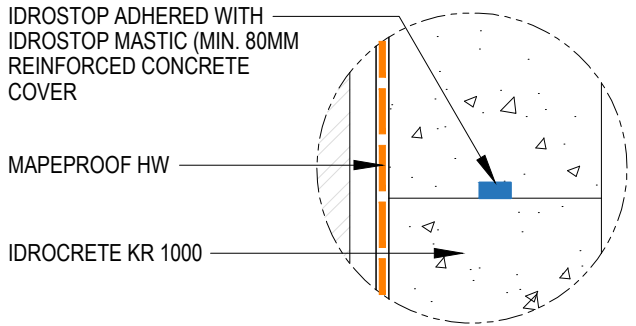
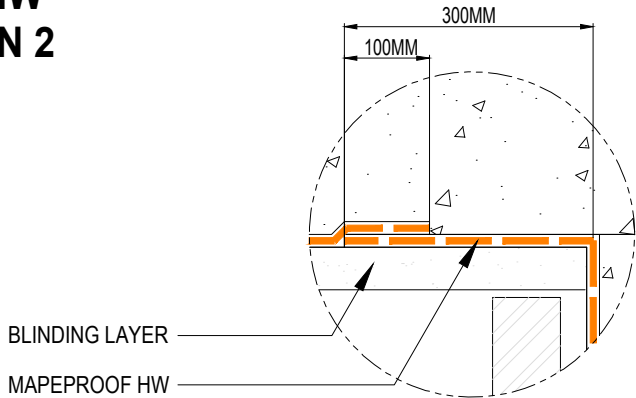
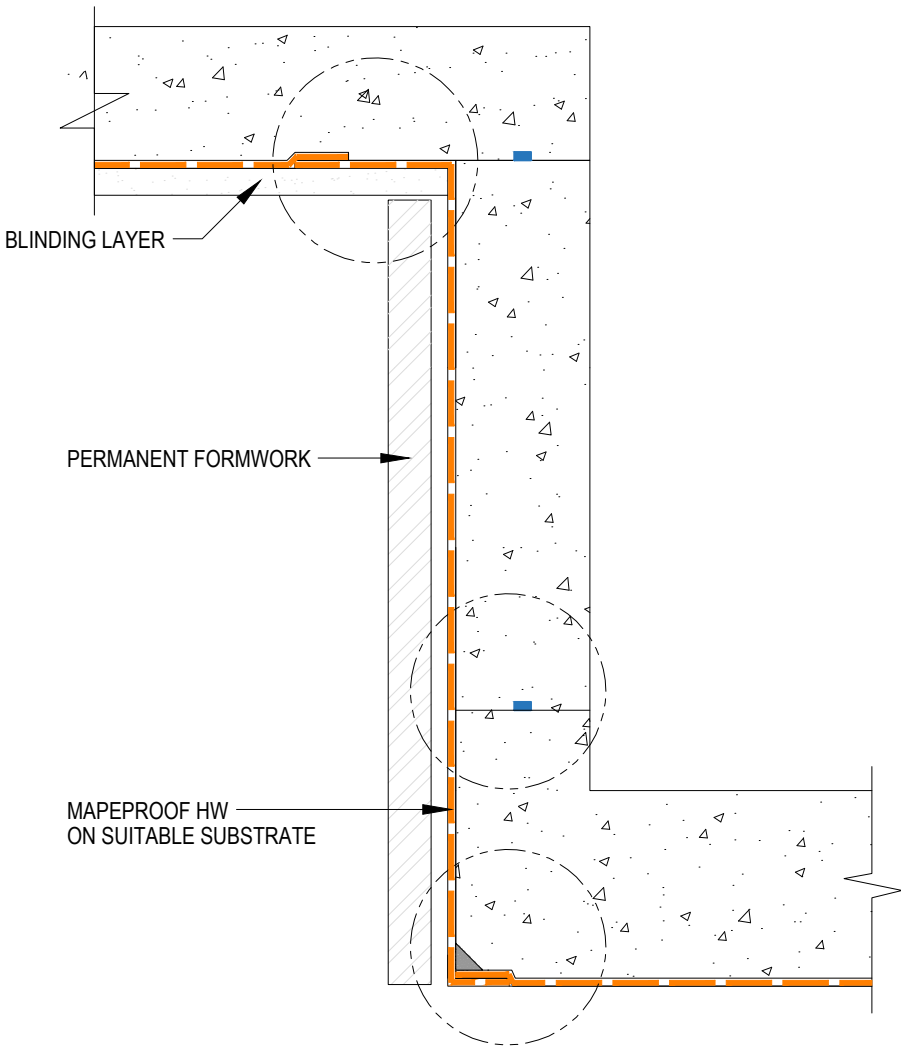


MAPEPROOF HW LIFT PIT OPTION 2



Drawing Details:
 MAPEPROOF HW - Bentonite geotextile sheet waterproofing membrane.
 IDROSTOP - Hydrophilic, expanding rubber profiles for waterproof working joints.
 IDROSTOP MASTIC - One-component adhesive for laying IDROSTOP.
 MAPEPROOF MASTIC - Bentonite paste made from natural sodium bentonite and plasticising additives for sealing elements which pass through surfaces.
 IDROCRETE KR 1000 - Powdered crystallising admixture for waterproof concrete.

STATUS: APPROVED

Drawing Title:
 MAPEPROOF HW-LIFT PIT
 OPTION 2

Drawing Ref: MA126B

Date: 31/08/2023

Drawn by: DB
Checked by: LR
Approved by: ADL



Mapei House, Steel Park Road,
 Halesowen, B62 8HD
 Website: www.mapei.co.uk
 Email: technical-uk@mapei.co.uk

These standard details are provided for guidance only and should not be considered as comprehensive for design or construction purposes. It is the responsibility of the appointed principal designer to ensure that these details are appropriately adapted for specific projects.