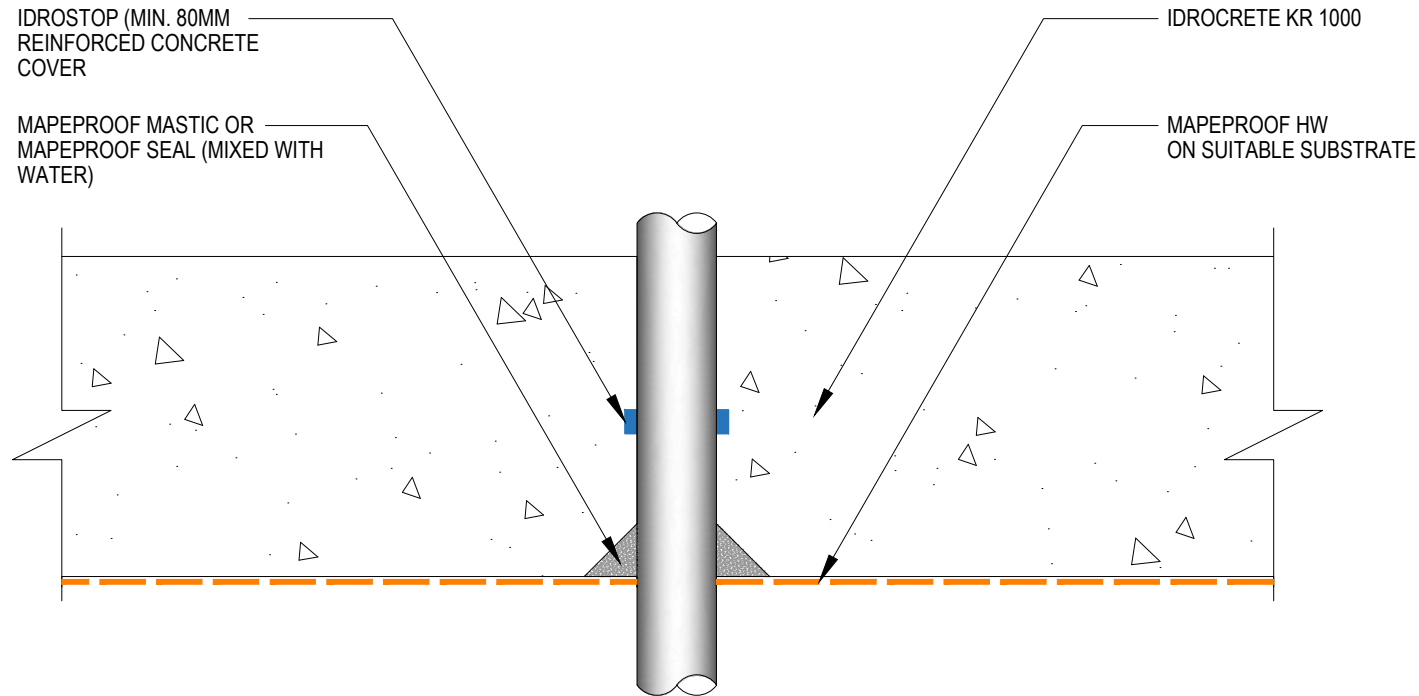


MAPEPROOF HW PIPE THROUGH RC SLAB



Drawing Details:

MAPEPROOF HW - Bentonite geotextile sheet waterproofing membrane.

MAPEPROOF MASTIC - Bentonite paste made from natural sodium bentonite and plasticising additives for sealing elements which pass through surfaces

MAPEPROOF SEAL - Natural sodium bentonite in powder form for localised strengthening of waterproofing layers made using MAPEPROOF bentonite sheets.

IDROSTOP - Hydrophilic, expanding rubber profiles for waterproof working joints.

IDROCRETE KR 1000 - Powdered crystallising admixture for waterproof concrete.

STATUS: APPROVED

Drawing Title:
MAPEPROOF HW-PIPE THROUGH RC SLAB

Drawing Ref: MA127B

Date: 31/08/2023

Drawn by: DB

Checked by: LR

Approved by: ADL



Mapei House, Steel Park Road,
Halesowen, B62 8HD
Website: www.mapei.co.uk
Email: technical-uk@mapei.co.uk