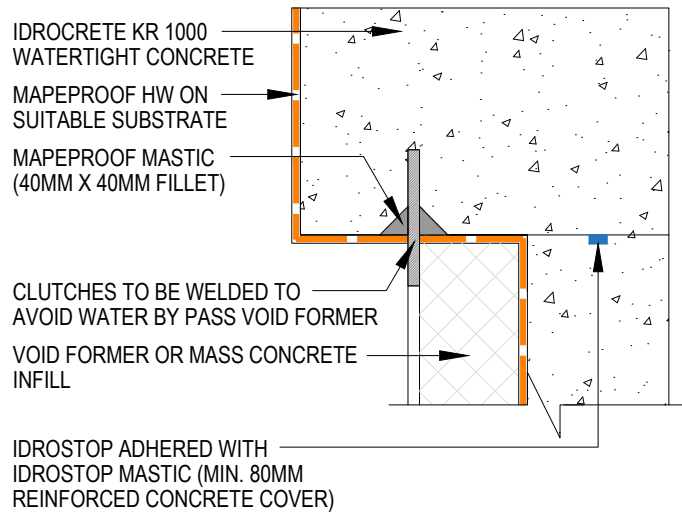
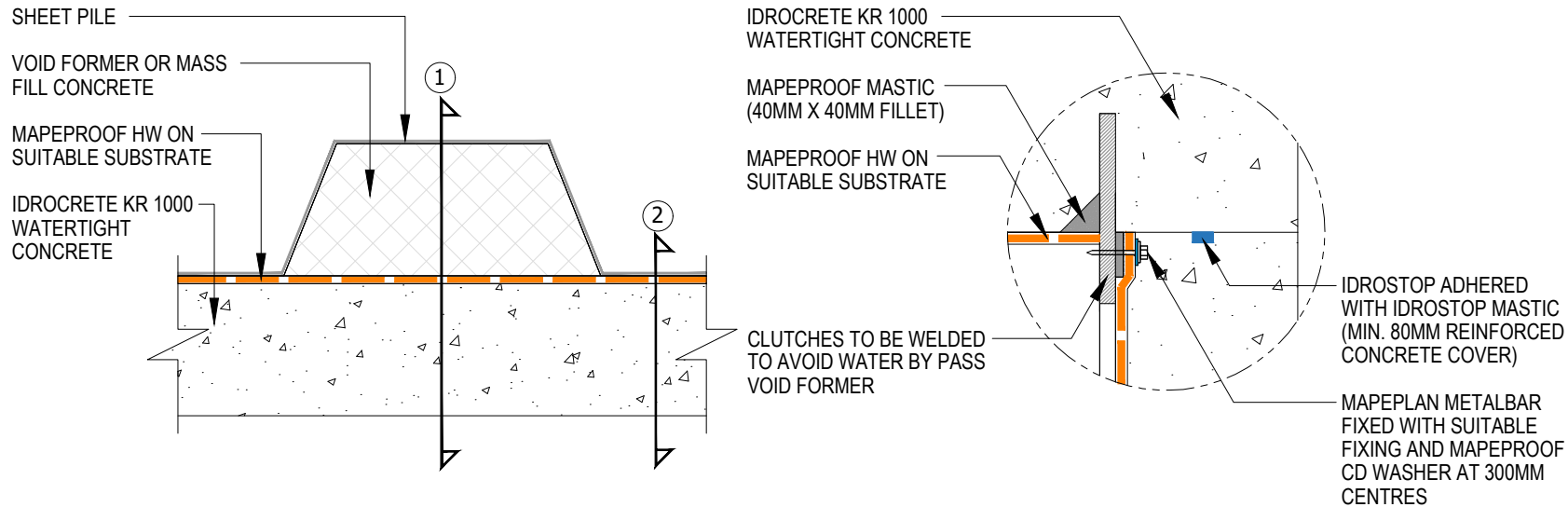
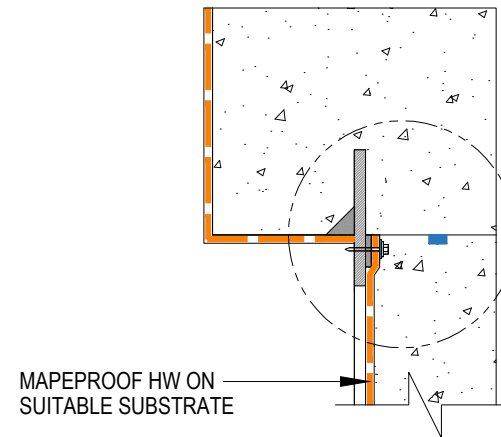


MAPEPROOF HW ON SHEET PILE (OPTION 2)



SECTION 1



SECTION 2

Drawing Details:

MAPEPROOF HW - Bentonite geotextile sheet waterproofing membrane.

MAPEPROOF MASTIC - Bentonite paste made from natural sodium bentonite and plasticising additives for sealing elements which pass through surfaces

IDROSTOP - Hydrophilic, expanding rubber profiles for waterproof working joints.

IDROSTOP MASTIC - One-component adhesive for laying IDROSTOP.

IDROCRETE KR 1000 - Powdered crystallising admixture for waterproof concrete.

STATUS: APPROVED

Drawing Title:
MAPEPROOF HW-ON SHEET PILE (OPTION 2)

Drawing Ref: MA134B

Date: 31/08/2023

Drawn by: DB

Checked by: LR

Approved by: ADL



Mapei House, Steel Park Road,
Halesowen, B62 8HD

Website: www.mapei.co.uk

Email: technical-uk@mapei.co.uk