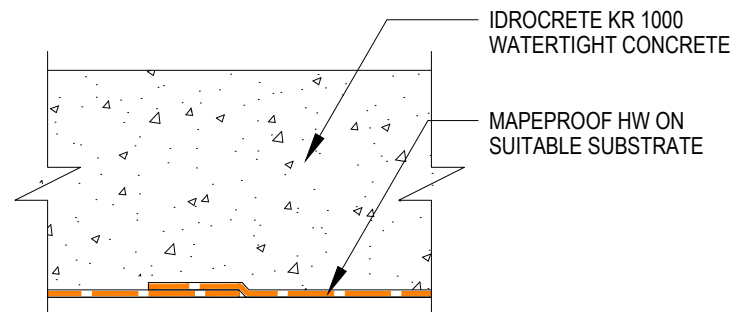
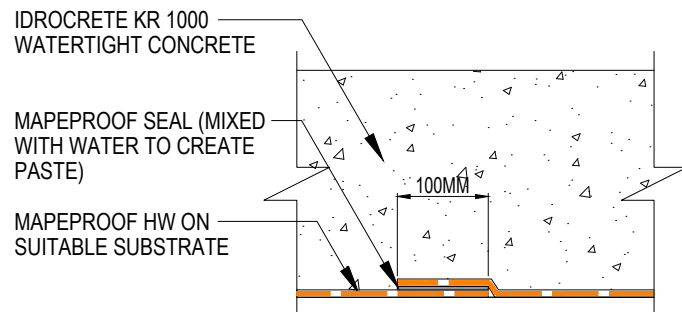
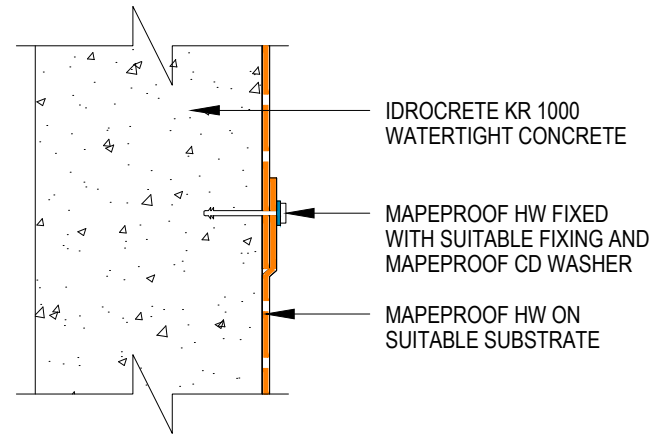
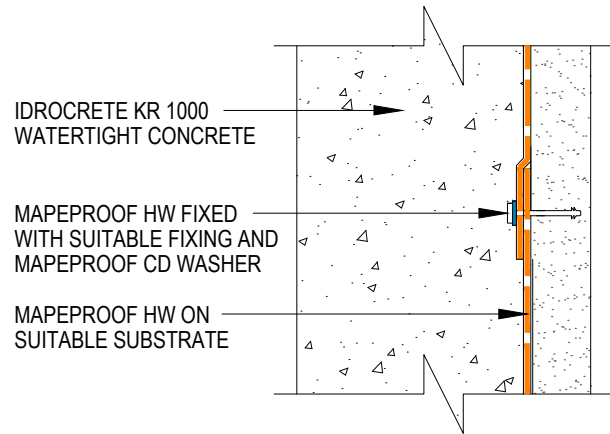


MAPEPROOF HW LAP DETAILS

**PRE-APPLIED
(FIXINGS AT 300MM CENTRES)**

**POST-APPLIED
(FIXINGS AT 300MM CENTRES)**



Drawing Details:

MAPEPROOF HW - Bentonite geotextile sheet waterproofing membrane.

MAPEPROOF SEAL - Natural sodium bentonite in powder form for localised strengthening of waterproofing layers made using MAPEPROOF bentonite sheets.

IDROCRETE KR 1000 - Powdered crystallising admixture for waterproof concrete.

STATUS: APPROVED

Drawing Title: MAPEPROOF HW-LAP DETAILS

Drawing Ref: MA135B

Date: 31/08/2023

Drawn by: DB

Checked by: LR

Approved by: ADL



Mapei House, Steel Park Road,
Halesowen, B62 8HD
Website: www.mapei.co.uk
Email: technical-uk@mapei.co.uk

These standard details are provided for guidance only and should not be considered as comprehensive for design or construction purposes. It is the responsibility of the appointed principal designer to ensure that these details are appropriately adapted for specific projects.